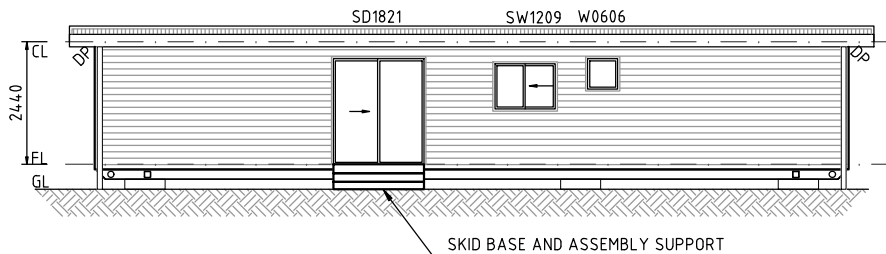
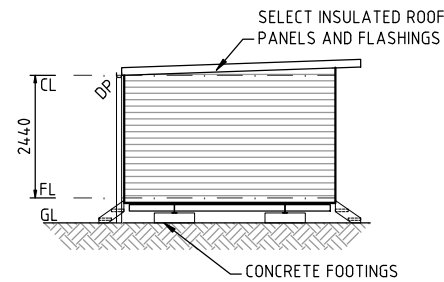


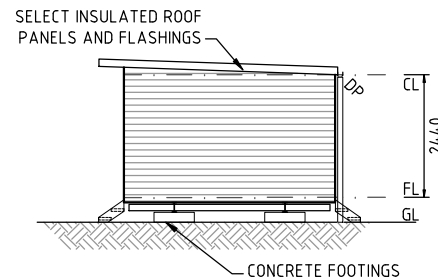
ELEVATION A
SCALE 1:100 (A3)



ELEVATION B
SCALE 1:100 (A3)



ELEVATION C
SCALE 1:100 (A3)



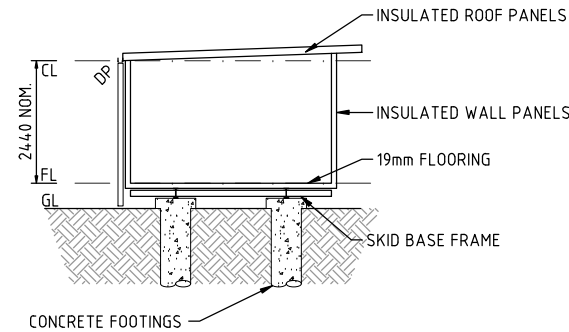
ELEVATION C
SCALE 1:100 (A3)

WINDOW AND DOOR SCHEDULE

- W0606 - 600D x 600W ALUMINUM FRAMED WINDOW
- SW1212 - 1200D x 1200W ALUMINUM FRAMED SLIDING WINDOW
- SD1821 - 2100 D x 1800 W ALUMINUM FRAMED SLIDING DOOR
- SD2121 - 2100 D x 2100 W ALUMINUM FRAMED SLIDING DOOR
- D1 - SELECT INTERNAL DOOR

LEGEND:

- DP - DOWNPIPE
- NCC - NATIONAL CONSTRUCTION CODE



TYPICAL CROSS SECTION
SCALE 1:100 (A3)

DESIGNED: ARASH AKHYANI
B.CIVIL/STRUCTURAL ENG.
MIEAust No: 3580661, CPEng, NPER, RPEQ



mob: 0432 638 115
web: www.allstructural.com.au
email: info@allstructural.com.au

DETAILS	AMENDMENT
JOB NO.	ED-24204-AJC-9549

DANIEL AND SARAH FAVEL

TRANSPORTABLE CABIN
786 BUNDARRA RD
SAUMAREZ PONDS, 2350

CLIENT	PLANS & ELEVATIONS		DRAWING
	SCALE	DATE	
PROJECT	AS SHOWN	APRIL 2024	
	DRAWN/DESIGNED	CHECKED	
	H.L.	A.A	
		DRAWING NUMBER	7 / 7